

Cone Beam 3D Imaging
NewTom
what's next



BU Medical Equipment

Sede legale ed amministrativa
Headquarters

CEFLA s.c.
Via Selice Provinciale 23/a ▪ 40026 Imola ▪ Italy
t. +39 045 8202727 ▪ 045 583500
info@newtom.it

**Stabilimento
Plant**

Via Bicocca, 14/c
40026 Imola ▪ Bo (Italy)
tel. +39 0542 653441
fax +39 0542 653601

newtom.it



01/2024 NXVSEGB241500
According to the standards in force, in extra-EU areas the availability and specifications of some products and/or characteristics may vary. Please contact your local distributor for further information. Pictures are for illustration purposes only.

NewTom X-VS E EVOLVED.VISION

INTRAORAL SENSOR



Cone Beam 3D Imaging
NewTom
what's next

X-VS E INTRAORAL SENSOR.

Sharper images
with the same dose,
greater patient
comfort.

NewTom goes from strength to strength with the new X-VS E intraoral sensor.

Two different sizes ensure the best diagnostic results for both adults and children.

Thinner than previous sensors. X-ray dose remaining equal, greater sensitivity delivers more clearly defined images, illustrating details as small as coronal micro-fractures.

More comfortable for the patient and more liquid-resistant, the X-VS E sensor provides dentists with a valuable high-quality diagnostics tool.



MORE SENSITIVE

Greater sensitivity combines sharper images and reliable diagnosis with low doses.



MORE PRACTICAL

A longer cable makes daily tasks more flexible.



THINNER

Just 4.5 mm thick, this sensor has clear benefits for both patients and workflows.



MORE IMPERMEABLE

The IP 68 rating ensures ultra-high resistance to penetration by liquids or dust, whatever the context.



HIGH PERFORMANCE WITH LOW EMISSIONS.

All the quality of
NewTom imaging, for
quick, clear diagnoses.

Compared to the other wire sensors in the range, the enhanced sensitivity of X-VS E delivers - X-ray dose remaining equal - images with higher contrast and detail.

In addition to patient safety, the slim design of the X-VS E ensures greater comfort during positioning across a wide range of exams.

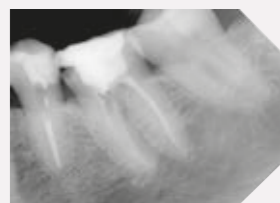
The NNT software processes the images and, thanks to specific filters, can highlight areas and details of clinical interest.



NEWTOM APT FILTERS

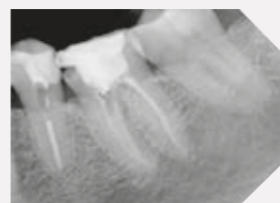
Like X-VS, X-VS E features NewTom Adaptive Multivision mode to provide you with up to 5 different images, optimized via NewTom ApT (Adaptive Picture Treatment) filters. This lets users observe different details according to clinical needs.

PRIME



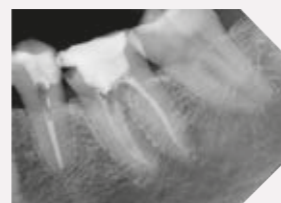
Prime images: perfect for experts who need to perform pure clinical evaluation. The Raw filter does not apply any processing-related alterations.

SOFT



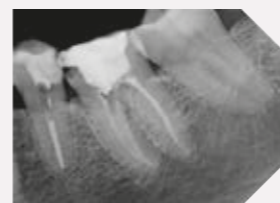
Soft images: allows perfect display of soft tissues from apex to base thanks to the Soft Tissues Preserving filter which keeps areas at risk of image darkening unaltered.

REGULAR



Regular images: balanced, perfect for most applications, thanks to the Default filter that balances contrast, noise and sharpness.

STRONG



Strong images: optimised contrast thanks to the High Details filter which emphasises details such as trabecular bone structures and caries

EXTENSIVE ACTIVE AREA

Both sizes have a large active area that exploits almost the entire front part of the sensor, providing complete clinical images of the various anatomical structures.



HIGH DEFINITION WITH SAME DOSE

With X-VS E, the same X-ray dose yields higher levels of contrast and sharpness, delivering more detail with which to detect common dental pathologies.

SENSOR E-Technology **HD**



SENSOR Standard



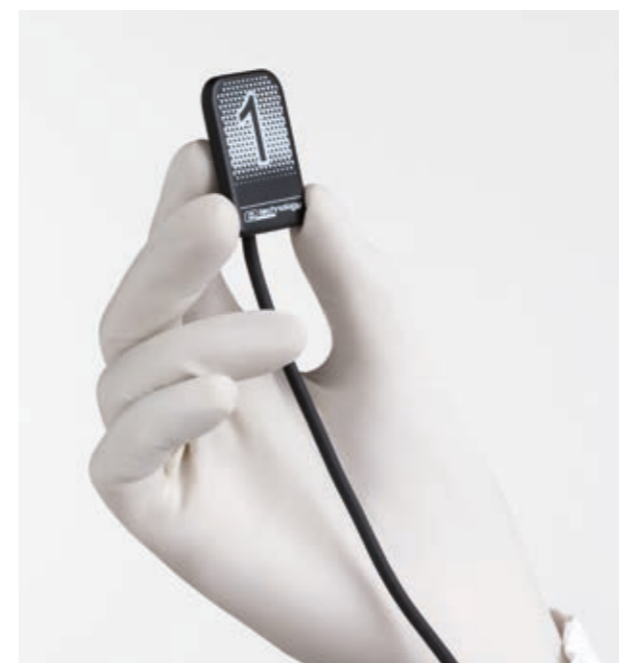
OUTSTANDING QUALITY EVEN WITH LOWER DOSES

Even with a lower dose, images are clearly legible down to the tiniest detail.

SENSOR E-Technology **ECO**



SENSOR Standard



COMFORT

A mere 4.5 mm thick, X-VS E offers outstanding comfort. Together with the rounded corners and smooth edges, this makes it more comfortable because it occupies less space in the oral cavity and is easily positioned by the operator.

SMOOTH OPERATING EFFICIENCY

The 3 metre long cable can reach the patient with ease, even in large practices. It guarantees fast, direct USB connectivity to the practice's PC or laptop without any need for additional control boxes. The cable also comes with a stabilizer to reduce energy consumption: consequently, it does not need to be placed on stand-by to prevent overheating, ensuring patient comfort at all times.

POSITIONERS

X-VS E is supplied with special positioners to ensure proper execution of the various examination types.

TECHNICAL SPECIFICATIONS.

X-VS E SENSOR	SIZE 1	SIZE 2
External dimensions (mm)	36.8 x 25.4	41,9 x 30,4
Thickness (mm)	4.5	4,5
Pixel matrix	1500 x 1000	1800 x 1300
Pixel size (µm)	20	20
Max. resolution (lp/mm)	25	25
Grey level depth	16-bit acquisition - max 65,535 grey levels	
Sensor technology	APS CMOS	
Scintillator technology	Direct deposition CsI (Caesium Iodide)	
Case protection rating	IP68 (Guaranteed against liquid or dust infiltration)	
Compatibility with X-ray genera-tors	Any AC or DC technology X-ray generator with values in the 60 – 70 kV and 1-8 mA range and precision control of exposure times	
Connectivity	Direct USB to PC	

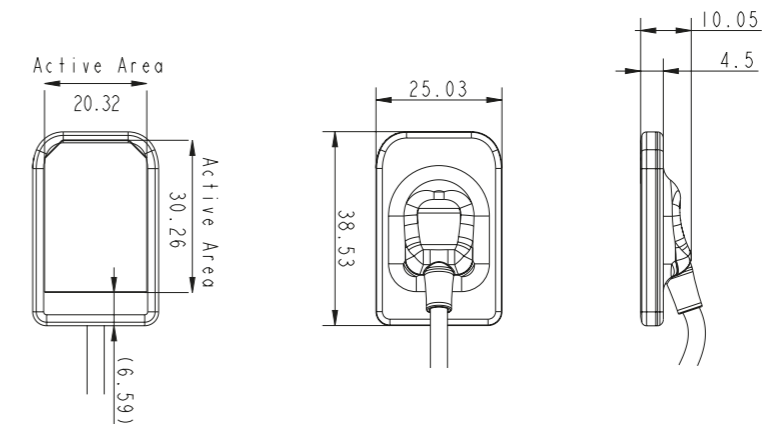
X-VS E SOFTWARE

Acquisition software (for PC)	iCapture with dedicated X-VS E image filters for third party software and for automat-ic saving of RX DC exposure parameters on PC
Image management software (for PC)	NNT (compliant with ISDP®10003:2020 in accordance with EN ISO/IEC17065:2012 - certificate num-ber 2019003109-2) and iPad NNT viewer App (free)
Protocols supported in NNT	DICOM 3.0, TWAIN, VDDS
DICOM Node Connec-tivity	IHE compliant (Print; Storage Commitment, SR document; WorkList; MPPS; Query/Retrieve)
X-ray log	NNT function to associate exposure parameters with the X-ray images of each examination (exportable in PDF or CSV for-mat)

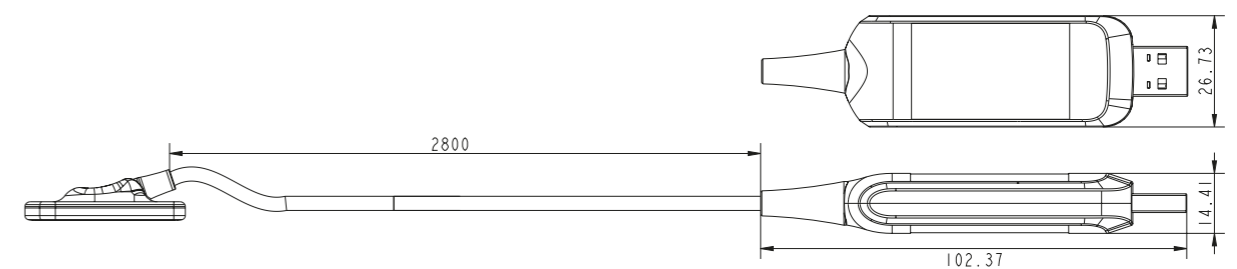
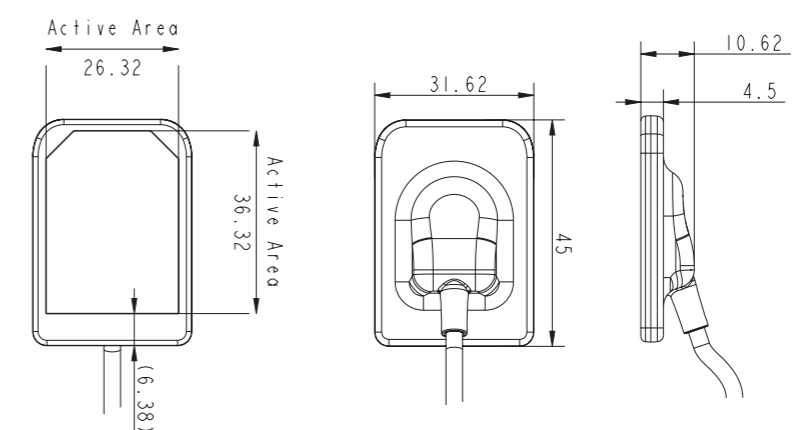
X-VS E MINIMUM SYSTEM REQUISITES

Supported operating systems	Microsoft® Windows® 10. 11 Professional 64 bit
Processor	Intel Core i3 or higher
RAM	4 GB (8 GB recommended)
Graphics card	Discrete 3D Video Card or integrated GPU
Display settings	1280 x 1024; 1344 x 768 or greater, 16 million colours
Port	USB 2.0 or later versions
Power supply	Use a power supply with suitable power for the video board in use

X-VS E - 1



X-VS E - 2



Specifications subject to change without prior notice.

Dimensions in centimetres
(dimensions in inches)



0051